

AUTOSENSOR AV3 Range - Touch-Free Hand Wash Unit

Touch-Free Hand Wash Unit

Autosensors are compact, wall mounted warm water dispensers, delivering an unlimited supply of heated water typically used for hand and face washing. Connected to a cold water supply only and the mains electricity and provide instant hot water. They do not store hot water but heat as they dispense – hence, instant and convenient. They are simple and economical to use with a single control for Start/ Stop and temperature selection (manual) or hands free control (auto). They are suitable for high or pressure plumbing systems.

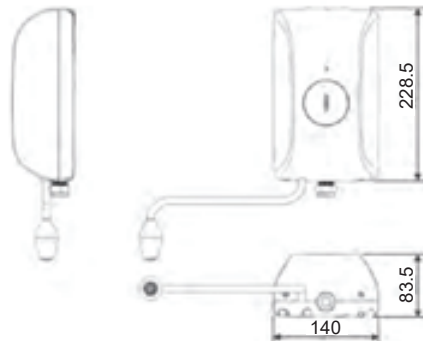
Key Features

- Simple to dit direct swap with previous Redring AV3 installations.
- Touch-free hygienic operation preventing crosscontamination
- Infrared sensor activates water output for extra economy.
- Timed shut-off set at approximately 20 seconds.
- Vortex spray head is non-scaling and maintenance free.

- Swivel 200mm stainless steel spray arm.
- Overheat protection.
- Fully temperature stabilised.
- No standing heat loss .
- Compact economic design.
- Direct connections to water mains.
- Standard 15mm pipe work.
- Top, bottom or rear cable entry.
- "Standard ½" connections.
- Full fixing pack supplied.



Dimensions (mm)



Specifications

Operating water pressure:	0.7 - 7 Bar
Cable size:	10mm ²
Fuse rating:	13 amps.
kW loading:	3 kW